

Connection

INTERRUTTORI A BASCULA E PULSANTI

Rocker switches and push buttons

Interrupteurs à bascule et poussoirs



INTERRUTTORI 16A
16A switches | Interrupteurs 16A



INTERRUTTORI 10A
10A switches | Interrupteurs 10A



INTERRUTTORI LEVA LUMINOSI
Luminous toggle switches | Interrupteurs à levier lumineux



INTERRUTTORI TONDI
Round switches | Interrupteurs ronds



INDICATORI LUMINOSI
Luminous indicators | Interrupteurs lumineux



PULSANTI METALLICI
Metal push-buttons | Poussoirs métalliques



PULSANTI LUMINOSI
Luminous push-buttons | Poussoirs lumineux



PRODUTTORI | Manufacturers | Producteurs

EDK

Connection

INTERRUTTORI A BASCULA E PULSANTI

Rocker switches and push buttons

Interrupteurs à bascule et poussoirs

INFORMAZIONI GENERALI

General Information

Informations Générales



APPLICAZIONI

Applications | Applications

- **Piccoli elettrodomestici**
Small households | Petits appareils électroménagers
- **Strumenti**
Equipments | Equipements
- **Elettromedicali**
Medical equipments | Equipements médicaux

VANTAGGI

Advantages | Avantages

- **Pronta consegna**
Prompt delivery | Livraison sur stock
- **Basso costo**
Low cost | Prix bas
- **Ampia gamma**
Wide range | Large gamme
- **Omologazioni**
Approvals | Homologations





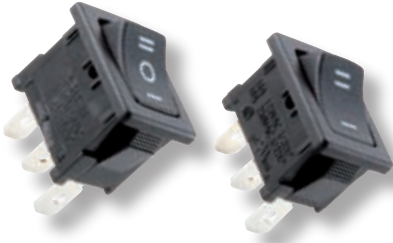
STRUTTURA DEL CODICE

Code structure | Structure du code

Serie Range Série	Tipo Type Type	Famiglia Family Famille	Contatto Contact Contact	Schema Scheme Schéma	Luminoso Bright Lumineux	Colore corpo Body colour Couleur de corps	Colore bascula Rocker colour Coul. de bascule
K	B	066	48	A	0	B	B
K	B = BASCULA P = PULSANTE L = LEVA I = INDICATORE	066 244 033 245 90P 402 105 405 104 502 205 511 240 507 135 527 095 508 112 523 092	28 = a saldare 48 = faston 4,8 mm 63 = faston 6,3 mm	A = on - off B = on - off - luminoso C = on - off D = on - off - on F = off - mom H = on - off - mom I = mom - off - mom	0 = non luminoso 1 = neon 110V 2 = neon 220V 3 = filamento 12V 4 = filamento 24V 5 = led 6 = led	B = nero R = rosso G = verde Y = giallo M = metallo	B = nero R = rosso G = verde W = bianco Y = giallo

INTERRUTTORI A BASCULA E PULSANTI

Rocker switches and push-buttons | *Interrupteurs à bascule et poussoirs*



INTERRUTTORI UNIPOLARI Single pole switches | *Interrupteurs unipolaires*

Tensione 125 V-250 V AC	Voltage 125V-250V AC	Tension 125 V-250 V AC
Corrente 16 A - 10 A	Current 16A - 10A	Courant 16 A - 10 A
Contatti Ottone argentato faston 4,8 mm	Contacts Silver-plated brass 4,8 mm faston	Contacts Laiton argenté faston 4,8 mm
Corpo Nylon UL 94V-2	Body Nylon UL 94V-2	Corps Nylon UL 94V-2
Temperatura 85°C	Temperature 85°C	Température 85°C



INTERRUTTORI UNIPOLARI Single pole switches | *Interrupteurs unipolaires*

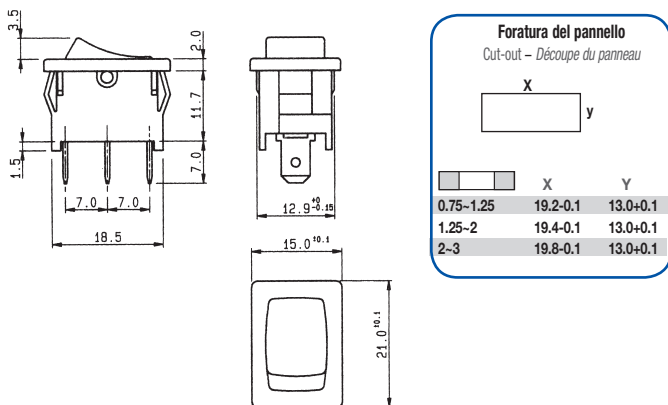
Tensione 125 V-250 V AC	Voltage 125 V-250 V AC	Tension 125 V-250 V AC
Corrente 16 A - 10 A	Current 16 A - 10 A	Courant 16 A - 10 A
Contatti Ottone argentato faston 4,8 mm	Contacts Silver-plated brass 4,8 mm faston	Contacts Laiton argenté faston 4,8 mm
Corpo Nylon UL 94V-2	Body Nylon UL 94V-2	Corps Nylon UL 94V-2
Temperatura 85°C	Temperature 85°C	Température 85°C



Codice Code Code	Circuito Circuit Circuit	Colore bascula Rocker colour Couleur bascule
KB 066 48 A0BB	on - off	■
KB 066 48 C0BB	on - on	■
KB 066 48 D0BB	on off on	■
KB 066 48 F0BB	off - mom	■
KB 066 48 G0BB	on - mom	■
KB 066 48 H0BB	on off mom	■
KB 066 48 I0BB	mom off mom	■

Codice Code Code	Circuito Circuit Circuit	Colore bascula Rocker colour Couleur bascule
Colorati non luminoso Coloured non illuminated Colorés non lumineux		
KB 066 48 A0BW	on - off	□
KB 066 48 A0BR	on - off	■
Luminoso Luminous Lumineux		
KB 066 48 B2BR	on - off	■ neon
KB 066 48 B2BG	on - off	■ neon
KB 066 48 B2BY	on - off	■ neon

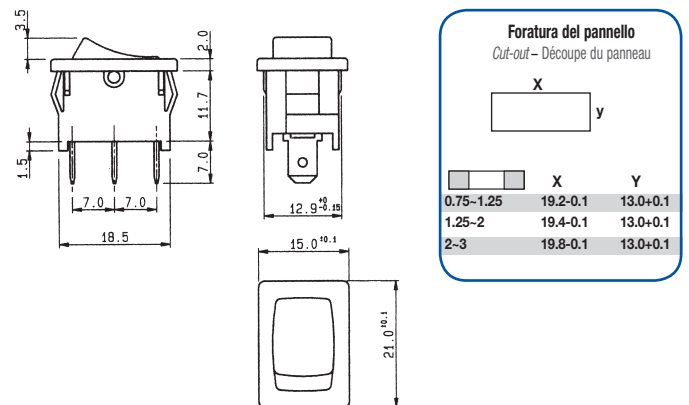
Dimensioni | Dimensions | Dimensions



400 pz
400 pcs
400 pces

pronta
in stock
en stock

Dimensioni | Dimensions | Dimensions



400 pz
400 pcs
400 pces

pronta
in stock
en stock

! luminoso blu su richiesta
blue luminous upon request
lumineux bleu sur demande

INTERRUTTORI A BASCULA E PULSANTI

Rocker switches and push-buttons | *Interrupteurs à bascule et poussoirs*



INTERRUTTORI BIPOLARI Double pole switches | *Interrupteurs bipolaires*

Tensione 250 V	Voltage 250 V	Tension 250 V
Corrente 10 A resistivi/4 A induttivi	Current 10 A resistive/4 A inductive	Courant 10 A résistifs/4 A inductifs
Contatti Ottone argentato faston 4,8 mm	Contacts Silver-plated brass faston 4,8 mm	Contacts Laiton argenté 4,8 mm faston
Corpo Policarbonato nero	Body Black polycarbonate	Corps Polycarbonate noir
Cicli di lavoro 300.000	Operating cycles 300.000	Durée de vie 300.000 cycles
Temperatura 125°C	Temperature 125°C	Température 125°C

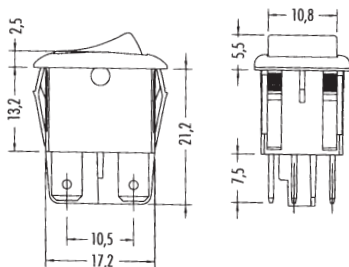


Codice Code Code	Circuito Circuit Circuit	Colore bascula Rocker colour Couleur bascule
I3910	on - off	■
I3913	on - off	■ neon
I3915	on - off	■ neon

Accessorio | Accessory | Accessoire

PG3901 calotta di protezione IP55/PG3901 protection cover IP55/PG3901 capot de protection IP55

Dimensioni | Dimensions | Dimensions

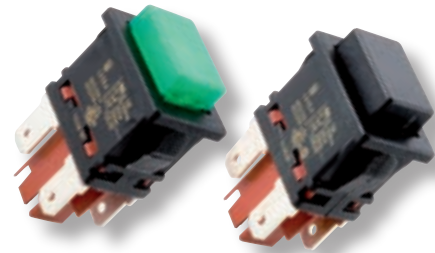


! grado di protezione 40 IP
sealing IP 40
indice de protection IP 40

! cava pannello 19x13 mm
panel cut-out 19x13 mm
découpe du panneau 19x13 mm

100 pz
100 pcs
100 pces

pronta
in stock
en stock



INTERRUTTORI / PULSANTI BIPOLARI Double pole switches/Momentary switches | *Interrupteurs/poussoirs bipolaires*

Tensione 250 V	Voltage 250 V	Tension 250 V
Corrente 16 A resistivi/2 A induttivi	Current 16 A resistive/2 A inductive	Courant 16 A résistifs/2 A inductifs
Contatti Ottone argentato faston 4,8 mm	Contacts Silver-plated brass 4,8 mm faston	Contacts Laiton argenté faston 4,8 mm
Corpo Policarbonato nero	Body Black polycarbonate	Corps Polycarbonate noir
Cicli di lavoro 10.000	Operating cycles 10.000	Durée de vie 10.000 cycles
Temperatura 125°C	Temperature 125°C	Température 125°C

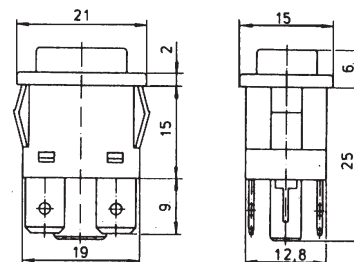


Codice Code Code	Circuito Circuit Circuit	Colore bascula Rocker colour Couleur bascule
I3950	on - off	■
I3953	on - of	■ neon
I3955	on - off	■ neon
I3952	on - off	■ neon
I3921	on - mom	■

Accessorio | Accessory | Accessoire

PG3900 calotta di protezione IP64/protection cover IP64/capot de protection IP64

Dimensioni | Dimensions | Dimensions



! grado di protezione 40 IP
sealing IP 40
indice de protection IP 40

! cava pannello 19x13 mm
panel cut-out 19x13 mm
découpe du panneau 19x13 mm

100 pz
100 pcs
100 pces

pronta
in stock
en stock

INTERRUTTORI A BASCULA E PULSANTI

Rocketr switches and push-buttons | *Interrupteurs à bascule et poussoirs*



INTERRUTTORI BIPOLARI Double pole switches | *Interrupteurs bipolaires*

Tensione
125 V - 250 V AC

Corrente
10 A - 6 A

Contatti
Ottone argentato
faston 4,8 mm

Corpo
Nylon UL94V-2

Temperatura
85°C

Norme riferimento
UL 1054 EN61058

Voltage
125 V - 250 V AC

Current
10 A - 6 A

Contacts
Silver-plated brass
4,8 mm faston

Body
Nylon UL94V-2

Temperature
85°C

Standards
UL 1054 EN61058

Tension
125 V - 250 V AC

Courant
10 A - 6 A

Contacts
Aiton argenté
faston 4,8 mm

Corps
Nylon UL94V-2

Température
85°C

Normes
UL 1054 EN61058



Codice Code Code	Circuito Circuit Circuit	Colore bascula Rocker colour Couleur bascule
------------------------	--------------------------------	--

Non luminoso | Non illuminated | Non lumineux

KB 033 48 A0BB	on - off	■
KB 033 48 C0BB	on - on	■
KB 033 48 D0BB	on off on	■
KB 033 48 I0BB	mom off mom	■
KB 033 48 A0BR	on - off	■
KB 033 48 C0BR	on - on	■
KB 033 48 D0BR	on off on	■
KB 033 48 I0BR	mom off mom	■

Luminoso | Luminous | Lumineux

KB 033 48 B2BR	on - off	■ neon
KB 033 48 B2BG	on - off	■ neon
KB 033 48 B2BY	on - off	■ neon

Dimensioni | Dimensions | Dimensions

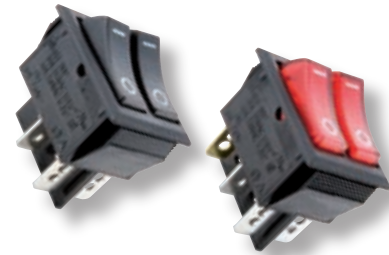
Foratura del pannello
Cut-out - Découpe du panneau

	X	Y
0.75-1.25	19.4-0.1	22.2+0.1
1.25-2	19.6-0.1	22.2+0.1
2-3	20.2-0.1	22.2+0.1

200 pz
200 pcs
200 pces

pronta
in stock
en stock

! luminoso blu su richiesta
blue luminous upon request
lumineux bleu sur demande



INTERRUTTORI BIPOLARI Double pole switches | *Interrupteurs bipolaires*

Tensione
125 V - 250 V AC

Corrente
16 A - 10 A

Contatti
Ottone argentato
faston 6,3 mm

Corpo
Nylon UL94V-2

Temperatura
85°C

Norme riferimento
UL 1054 EN61058

Voltage
125 V - 250 V AC

Current
16 A - 10 A

Contacts
Silver-plated brass
6,3 mm faston

Body
Nylon UL94V-2

Temperature
85°C

Standards
UL 1054 EN61058

Tension
125 V - 250 V AC

Courant
16 A - 10 A

Contacts
Laiton argenté
faston 6,3 mm

Corps
Nylon UL94V-2

Température
85°C

Normes
UL 1054 EN61058



Codice Code Code	Circuito Circuit Circuit	Colore bascula Rocker colour Couleur bascule
------------------------	--------------------------------	--

Non luminoso | Non illuminated | Non lumineux

KB 090 63 A0BB	on - off	■
KB 090 63 C0BB	on - on	■

Luminoso | Luminous | Lumineux

KB 090 63 B2BR	on - off	■ neon
KB 090 63 B2BG	on - off	■ neon
KB 090 63 B2BY	on - off	■ neon

Dimensioni | Dimensions | Dimensions

Foratura del pannello
Cut-out - Découpe du panneau

	X	Y
0.75-1.25	30.2-0.1	22.2+0.1
1.25-2	30.4-0.1	22.2+0.1
2-3	30.8-0.12	22.2+0.1

100 pz
100 pcs
100 pces

30 giorni
30 days
30 jours

! luminoso blu su richiesta
blue luminous upon request
lumineux bleu sur demande

INTERRUTTORI A BASCULA E PULSANTI

Rocker switches and push-buttons | *Interrupteurs à bascule et poussoirs*



INTERRUTTORI UNIPOLARI Single pole switches | *Interrupteurs unipolaires*

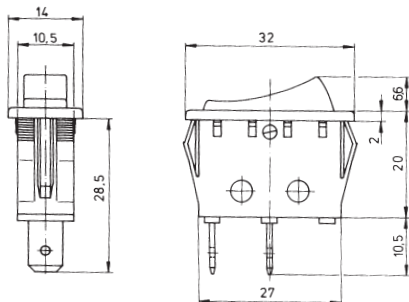
Tensione 250 V	Voltage 250 V	Tension 250 V
Corrente 16 A resistivi/6 A induttivi	Current 16 A resistive/6 A inductive	Courant 16 A résistifs/6 A inductifs
Contatti Ottone argentato faston 6,3 mm	Contacts Silver-plated brass 6,3 mm faston	Contacts Laiton argenté faston 6,3 mm
Corpo Poliamide 66 nero	Body Black 66 polyamide	Corps Polyamide 66 noir
Cicli di lavoro 300.000	Operating cycles 300.000	Durée de vie 300.000 cycles
Temperatura 125°C	Temperature 125°C	Température 125°C
Norme riferimento UL1054 EN 61058	Standards UL1054 EN 61058	Normes UL1054 EN 61058



Codice Code Code	Circuito Circuit Circuit	Colore bascula Rocker colour Couleur bascule
I4600	on - on	■
I4613	on - off	■ neon
I4615	on - off	■ neon
I4612	on - off	■ neon
I4620	on - off	■
• I4621	on - mom	■
I4630	on off on	■

Accessorio | Accessory | Accessoire
PG4600 calotta di protezione IP55/IP55 protection cover PG4600/PG4600 capot de protection IP55

Dimensioni | Dimensions | Dimensions



- ! grado di protezione 40 IP
sealing IP 40
indice de protection IP 40
- ! cava pannello 30x11 mm
panel cut-out 30x11 mm
découpe du panneau 30x11 mm
- ! • corrente max 10 A
max current 10 A
courant max 10 A



INTERRUTTORI BIPOLARI Double pole switches | *Interrupteurs bipolaires*

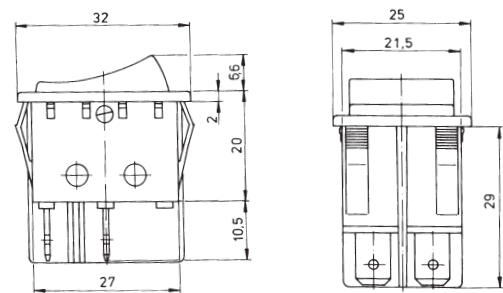
Tensione 250 V	Voltage 250 V	Tension 250 V
Corrente 16 A resistivi/6 A induttivi	Current 16 A resistive/6 A inductive	Courant 16 A résistifs/6 A inductifs
Contatti Ottone argentato faston 6,3 mm	Contacts Silver-plated brass 6,3 mm faston	Contacts Laiton argenté faston 6,3 mm
Corpo Poliamide 66 nero	Body Black 66 polyamide	Corps Polyamide 66 noir
Cicli di lavoro 300.000	Operating cycles 300.000	Durée de vie 300.000 cycles
Temperatura 125°C	Temperature 125°C	Température 125°C
Norme riferimento UL1054 EN 61058	Standards UL1054 EN 61058	Normes UL1054 EN 61058



Codice Code Code	Circuito Circuit Circuit	Colore bascula Rocker colour Couleur bascule
I4700	on - on	■
I4713	on - off	■ neon
I4715	on - off	■ neon
I4712	on - off	■ neon
I4720	on - off	■
• I4721	off - mom	■
I4730	on off on	■

Accessorio | Accessory | Accessoire
PG4700 calotta di protezione IP55/IP55 protection cover PG4700/PG4700 capot de protection IP55

Dimensioni | Dimensions | Dimensions



- ! grado di protezione 40 IP
sealing IP 40
indice de protection IP 40
- ! cava pannello 19x13 mm
panel cut-out 19x13 mm
découpe du panneau 19x13 mm
- ! • corrente max 10 A
max current 10 A
courant max 10 A

INTERRUTTORI A BASCULA E PULSANTI

Rocker switches and push-buttons | *Interrupteurs à bascule et poussoirs*



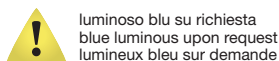
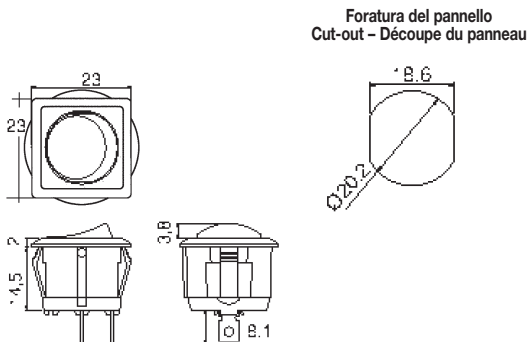
INTERRUTTORI UNIPOLARI Single pole switches | *Interrupteurs unipolaires*

Tensione 125 V - 250 V AC	Voltage 125 V - 250 V AC	Tension 125 V - 250 V AC
Corrente 16 A - 10 A	Current 16 A - 10 A	Courant 16 A - 10 A
Contatti Ottone argentato faston 4,8 mm	Contacts Silver-plated brass 4,8 mm faston	Contacts Laiton argenté faston 4,8 mm
Corpo Nylon caricato vetro UL94 HB	Body Glass filled nylon UL94 HB	Corps Nylon chargé verre UL94 HB
Temperatura 85°C	Temperature 85°C	Température 85°C
Norme riferimento UL 1054 EN61058	Standards UL 1054 EN61058	Normes UL 1054 EN61058



Codice Code Code	Circuito Circuit Circuit	Colore bascula Rocker colour Couleur bascule
Non luminoso Non illuminated Non lumineux		
KB 135 48 A0BB	on - off	■
KB 135 48 COBB	on - on	■
KB 135 48 DOBB	on off on	■
KB 135 48 FOBB	off - mom	■
KB 135 48 IOBB	mom off mom	■
KB 135 48 A0BR	on - off	■
KB 135 48 COBR	on - on	■
KB 135 48 DOBR	on off on	■
KB 135 48 FOBR	off - mom	■
KB 135 48 IOBR	mom off mom	■
Luminoso Luminous Lumineux		
KB 135 48 B2BR	on - off	■ neon
KB 135 48 B2BG	on - off	■ neon
KB 135 48 B2BY	on - off	■ neon

Dimensioni | Dimensions | Dimensions



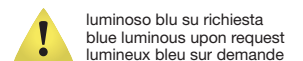
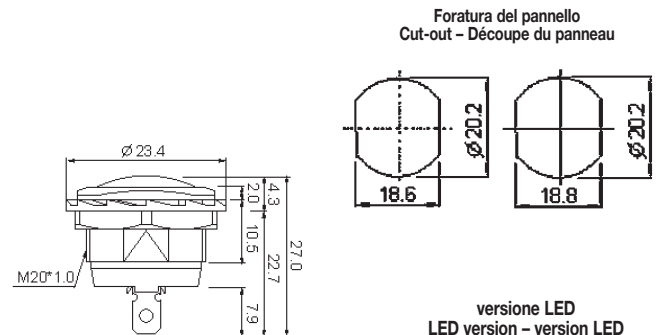
INDICATORI LUMINOSI Luminous indicator | *Indicateurs lumineux*

Contatti Ottone argentato 4,8 mm faston	Contacts Silver-plated brass 4,8 mm faston	Contacts Laiton argenté faston 4,8 mm faston
Corpo Nylon UL 94V-2	Body Nylon UL94V-2	Corps Nylon UL94V-2
Resistenza di isolamento 100 MΩ (@ 500 DC)	Insulation resistance 100 MΩ (@ 500 DC)	Résistance d'isolation 100 MΩ (@ 500 DC)



Codice Code Code	Caratteristiche Characteristic Caractéristique	Tensione Voltage Tension	Colore Colour Couleur
KI 095 48 X2BR	neon	220 V AC	■
KI 095 48 X2BG	neon	220 V AC	■
KI 095 48 X2BY	neon	220 V AC	■
KI 095 48 X5BR	led	12 V DC	■
KI 095 48 X5BG	led	12 V DC	■
KI 095 48 X5BY	led	12 V DC	■
KI 095 48 X6BR	led	24 V DC	■
KI 095 48 X6BG	led	24 V DC	■
KI 095 48 X6BY	led	24 V DC	■
KI 095 48 X3BR	filamento/filament/filament	12 V DC	■
KI 095 48 X3BG	filamento/filament/filament	12 V DC	■
KI 095 48 X3BY	filamento/filament/filament	12 V DC	■
KI 095 48 X4BR	filamento/filament/filament	24 V DC	■
KI 095 48 X4BG	filamento/filament/filament	24 V DC	■
KI 095 48 X4BY	filamento/filament/filament	24 V DC	■

Dimensioni | Dimensions | Dimensions



INTERRUTTORI A BASCULA E PULSANTI

Rocker switches and push-buttons | *Interrupteurs à bascule et poussoirs*



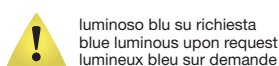
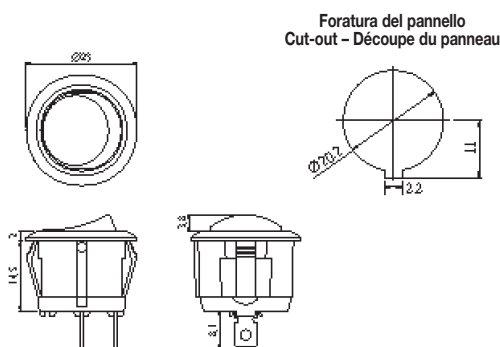
INTERRUTTORI UNIPOLARI Single pole switches | *Interrupteurs unipolaires*

Tensione 125 V - 250 V AC	Voltage 125 V - 250 V AC	Tension 125 V - 250 V AC
Corrente 16 A - 10 A	Current 16 A - 10 A	Courant 16 A - 10 A
Contatti Ottone argentato faston 4,8 mm	Contacts Silver-plated brass 4,8 mm faston	Contacts Laiton argenté faston 4,8 mm
Corpo Nylon UL94V-2	Body Nylon UL94V-2	Corps Nylon UL94V-2
Temperatura 85°C	Temperature 85°C	Température 85°C



Codice Code Code	Circuito Circuit Circuit	Colore bascula Rocker colour Couleur bascule
Non luminoso Non illuminated Non lumineux		
KB 112 48 A0BB	on - off	■
KB 112 48 C0BB	on - on	■
KB 112 48 D0BB	on off on	■
KB 112 48 F0BB	off - mom	■
KB 112 48 I0BB	mom off mom	■
KB 112 48 A0BR	on - off	■
KB 112 48 C0BR	on - on	■
KB 112 48 D0BR	on off on	■
KB 112 48 F0BR	off - mom	■
KB 112 48 I0BR	mom off mom	■
Luminoso Luminous Lumineux		
KB 112 48 B2BR	on - off	■ neon
KB 112 48 B2BG	on - off	■ neon
KB 112 48 B2BY	on - off	■ neon

Dimensioni | Dimensions | Dimensions



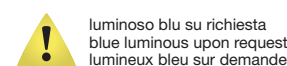
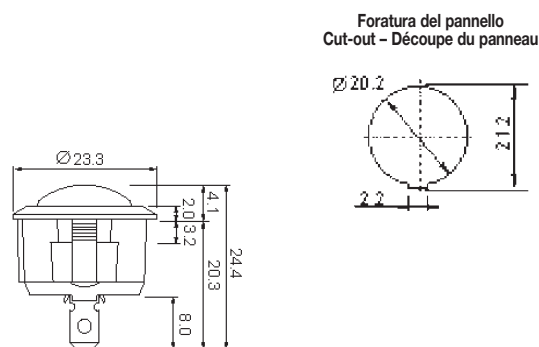
INDICATORI LUMINOSI Luminous indicators | *Indicateurs lumineux*

Contatti Ottone argentato faston 4,8 mm	Contacts Silver-plated brass 4,8 mm faston	Contacts Laiton argenté faston 4,8 mm
Corpo Nylon UL 94V-2	Body Nylon UL94V-2	Corps Nylon UL94V-2
Resistenza di isolamento 100 MΩ (@ 500 DC)	Insulation resistance 100 MΩ (@ 500 DC)	Résistance d'isolation 100 MΩ (@ 500 DC)



Codice Code Code	Caratteristiche Characteristic Caractéristique	Tensione Voltage Tension	Colore Colour Couleur
KI 092 48 X2BR	neon	220 V AC	■
KI 092 48 X2BG	neon	220 V AC	■
KI 092 48 X2BY	neon	220 V AC	■
KI 092 48 X5BR	led	12V DC	■
KI 092 48 X5BG	led	12V DC	■
KI 092 48 X5BY	led	12V DC	■
KI 092 48 X6BR	led	24V DC	■
KI 092 48 X6BG	led	24V DC	■
KI 092 48 X6BY	led	24V DC	■
KI 092 48 X3BR	filamento/filament/filament	12V DC	■
KI 092 48 X3BG	filamento/filament/filament	12V DC	■
KI 092 48 X3BY	filamento/filament/filament	12V DC	■
KI 092 48 X4BR	filamento/filament/filament	24V DC	■
KI 092 48 X4BG	filamento/filament/filament	24V DC	■
KI 092 48 X4BY	filamento/filament/filament	24V DC	■

Dimensioni | Dimensions | Dimensions



INTERRUTTORI A BASCULA E PULSANTI

Rocker switches and push-buttons | *Interrupteurs à bascule et poussoirs*



INTERRUTTORI BIPOLARI Double pole switches | *Interrupteurs bipolaires*

Tensione
125 V - 250 V AC

Corrente
16 A - 10 A

Contatti
Ottone argentato
faston 4,8 mm

Corpo
Nylon UL94V-2

Temperatura
85°C

Voltage
125 V - 250 V AC

Current
16 A - 10 A

Contacts
Silver-plated brass
4,8 mm faston

Body
Nylon UL94V-2

Temperature
85°C

Tension
125 V - 250 V AC

Courant
16 A - 10 A

Contacts
Laiton argenté
faston 4,8 mm

Corps
Nylon UL94V-2

Température
85°C



Codice Code Code	Circuito Circuit Circuit	Colore bascula Rocker colour Couleur bascule
------------------------	--------------------------------	--

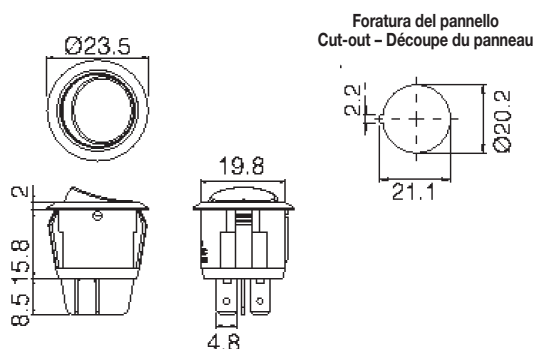
Non luminoso | Non illuminated | Non lumineux

KB 244 48 A0BB	on - off	■
KB 244 48 C0BB	on - on	■
KB 244 48 D0BB	on off on	■
KB 244 48 IOBB	mom off mom	■
KB 244 48 A0BR	on - off	■
KB 244 48 C0BR	on - on	■
KB 244 48 D0BR	on off on	■
KB 244 48 IOBR	mom off mom	■

Luminoso | Luminous | Lumineux

KB 244 48 B2BR	on - off	■ neon
KB 244 48 B2BG	on - off	■ neon
KB 244 48 B2BY	on - off	■ neon

Dimensioni | Dimensions | Dimensions



200 pz
200 pcs
200 pces



30 giorni
30 days
30 jours



luminoso blu su richiesta
blue luminous upon request
lumineux bleu sur demande



INTERRUTTORI BIPOLARI Double pole switches | *Interrupteurs bipolaires*

Tensione
125 V - 250 V AC

Corrente
16 A - 10 A

Contatti
Ottone argentato
faston 4,8mm

Corpo
Nylon UL94V-2

Temperatura
85°C

Voltage
125 V - 250 V AC

Current
16 A - 10 A

Contacts
Silver-plated brass
4,8 mm faston

Body
Nylon UL94V-2

Temperature
85°C

Tension
125 V - 250 V AC

Courant
16 A - 10 A

Contacts
Laiton argenté
faston 4,8 mm

Corps
Nylon UL94V-2

Température
85°C



Codice Code Code	Circuito Circuit Circuit	Colore bascula Rocker colour Couleur bascule
------------------------	--------------------------------	--

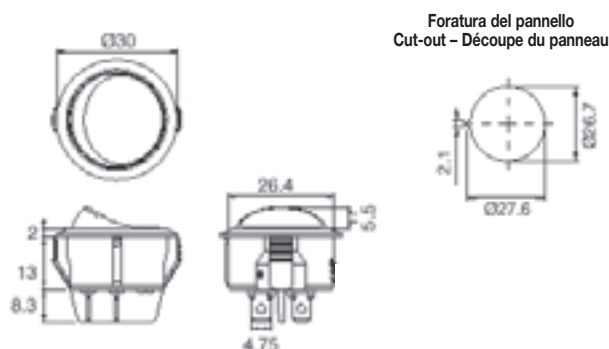
Non luminoso | Non illuminated | Non lumineux

KB 245 48 A0BB	on - off	■
KB 245 48 C0BB	on - on	■
KB 245 48 D0BB	on off On	■
KB 245 48 A0BR	on - off	■
KB 245 48 C0BR	on - on	■
KB 245 48 D0BR	on off on	■

Luminoso | Luminous | Lumineux

KB 245 48 B2BR	on - off	■ neon
KB 245 48 B2BG	on - off	■ neon
KB 245 48 B2BY	on - off	■ neon

Dimensioni | Dimensions | Dimensions



200 pz
200 pcs
200 pces



30 giorni
30 days
30 jours



luminoso blu su richiesta
blue luminous upon request
lumineux bleu sur demande

INTERRUTTORI A BASCULA E PULSANTI

Rocker switches and push-buttons | *Interrupteurs à bascule et poussoirs*



INTERRUTTORI A LEVA UNIPOLARI

Single pole toggle switches | *Interrupteurs à levier unipolaires*

Tensione 125 V - 250 V AC	Voltage 125 V - 250 V AC	Tension 125 V - 250 V AC
Corrente 6 A - 3 A	Current 6 A - 3 A	Courant 6 A - 3 A
Contatti Ottone argentato a saldare	Contacts Silver-plated brass solder lugs	Contacts Laiton argenté à souder
Corpo Nylon UL94V-2	Body Nylon UL94V-2	Corps Nylon UL94V-2
Norme riferimento UL 1054	Standards UL 1054	Normes UL 1054



Codice Code Code	Circuito Circuit Circuit	Colore Colour Couleur
------------------------	--------------------------------	-----------------------------

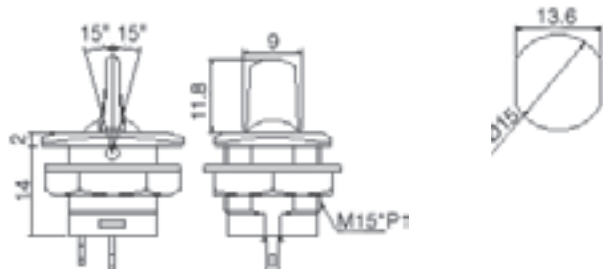
Non luminoso | Non illuminated | Non lumineux

KL 402 28 A0BB	on - off	■
KL 402 28 C0BB	on - on	■
KL 402 28 D0BB	on off on	■
KL 402 28 G0BB	on - mom	■
KL 402 28 H0BB	on off mom	■
KL 402 28 I0BB	mom off mom	■

Dimensioni | Dimensions | Dimensions

Foratura del pannello

Cut-out - Découpe du panneau



100 pz
100 pcs
100 pces



30 giorni
30 days
30 jours



INTERRUTTORI A LEVA UNIPOLARI/BIPOLARI

Single/double pole toggle switches | *Interrupteurs à levier unipolaires/bipolaires*

Tensione 125 V - 250 V AC	Voltage 125 V - 250 V AC	Tension 125 V - 250 V AC
Corrente 10 A - 6 A	Current 10 A - 6 A	Courant 10 A - 6 A
Contatti Ottone argentato a saldare	Contacts Silver-plated brass solder lugs	Contacts Laiton argenté à souder
Corpo Nylon UL94V-2	Body Nylon UL94V-2	Corps Nylon UL94V-2
Temperatura 85° C	Temperature 85° C	Température 85° C
Norme riferimento UL 1054	Standards UL 1054	Normes UL 1054



Codice Code Code	Circuito Circuit Circuit	Colore bascula Rocker colour Couleur bascule
------------------------	--------------------------------	--

Bipolare non luminoso | Double pole non illuminated | bipolaire non lumineux

KL 405 28 A0BB	on - off	■
KL 405 28 C0BB	on - on	■
KL 405 28 D0BB	on off on	■

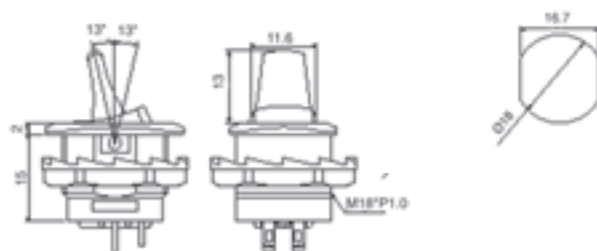
Unipolare luminoso | Single pole luminous | Unipolaire lumineux

KL 405 28 A5BR	on - off	■ led
KL 405 28 A5BG	on - off	■ led
KL 405 28 A5BY	on - off	■ led

Dimensioni | Dimensions | Dimensions

Foratura del pannello

Cut-out - Découpe du panneau



100 pz
100 pcs
100 pces







30 giorni
30 days
30 jours

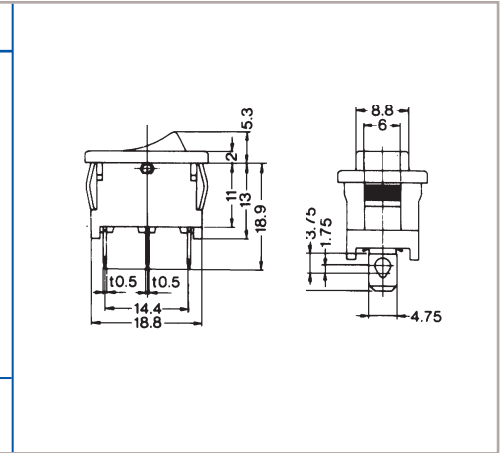






luminoso blu su richiesta
blue luminous upon request
lumineux bleu sur demande

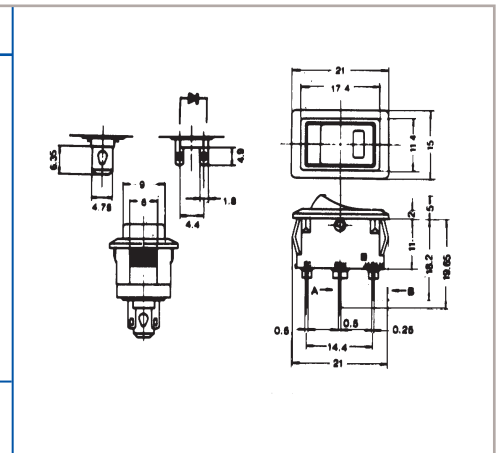
INTERRUTTORI A BILANCERE





Rocker switches | *Interrupteurs à bascule*

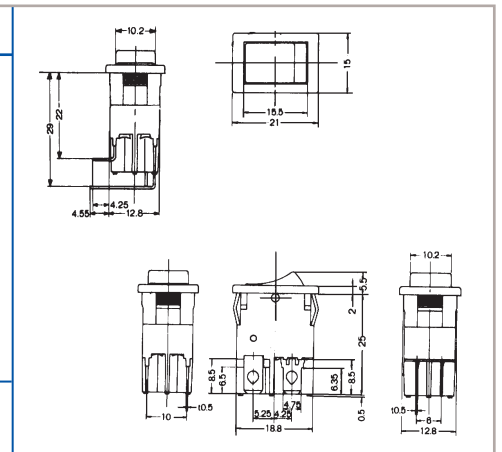
I 3300	Deviatore	Switch	Interrupteur
	I 3300 3 A 250 V 1-2 Corpo makrolon nero Contatti ottone faston 4,8 mm Norme riferimento EN 61058 UL 1054	I 3300 3 A 250 V 1-2 Body black makrolon Contacts brass 4,8 mm faston Standards EN 61058 UL 1054	I 3300 3 A 250 V 1-2 Corps makrolon noir Contacts laiton faston 4,8 mm Normes EN 61058 UL 1054
	 100 pz 100 pcs 100 pcs	 pronta in stock en stock	







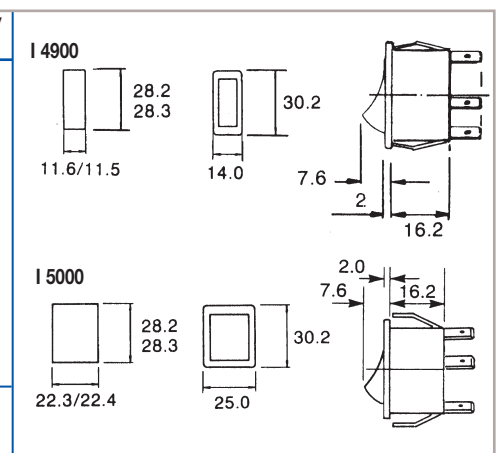
I 3401 - I 3402 - I 3403	Interruttore	Switch	Interrupteur
	I 3401 3 A 250 V Interruttore unipolare 0-1 led arancio I 3402 3 A 250 V Interruttore led verde I 3403 3 A 250 V Interruttore led rosso Norme riferimento EN 61058 UL 1054	I 3401 3 A 250 V Switch 0-1 single-pole orange led I 3402 3 A 250 V Switch green led I 3403 3 A 250 V Switch red led Standards EN 61058 UL 1054	I 3401 3 A 250 V Interrupteur unipolaire 0-1 led orange I 3402 3 A 250 V Interrupteur led verte I 3403 3 A 250 V interrupteur led rouge Normes EN 61058 UL 1054
	 100 pz 100 pcs 100 pcs	 pronta in stock en stock	



I 3500 - I 3510 - I 3520	Interruttore	Switch	Interrupteur
	I 3500 5 A 250 V Interruttore bipolare 0-1 Contatti Faston 4,8 mm I 3510 5 A 250 V Contatti Circuito stampato I 3520 5 A 250 V Contatti Circuito stampato 90° Norme di riferimento EN 61058 UL 1054	I 3500 5 A 250 V Switch double-pole 0-1 Contacts 4,8 mm faston I 3510 5 A 250 V Contacts PCB I 3520 5 A 250 V Contacts PCB 90° Standards EN 61058 UL 1054	I 3500 5 A 250 V Interrupteur bipolaire 0-1 Contacts Faston 4,8 mm I 3510 5 A 250 V Contacts Circuit imprimé I 3520 5 A 250 V Contacts Circuit imprimé 90° Normes EN 61058 UL 1054
	 100 pz 100 pcs 100 pcs	 pronta in stock en stock	



I 4900 - I 4913 - I 4915 I 5000 - I 5013 - I 5015	Interruttore unipolari/ bipolari	Single/double pole switches	Interrupteur unipolaires/ bipolaires
	I 4900 16 A 250 V 0-1 unipolare nero I 4913 16 A 250 V 0-1 unipolare luminoso rosso I 4915 16 A 250 V 0-1 unipolare luminoso verde I 5000 16 A 250 V 0-1 bipolare nero I 5013 16 A 250 V 0-1 bipolare luminoso rosso I 5015 16 A 250 V 0-1 bipolare luminoso verde Norme di riferimento CEE 24	I 4900 16 A 250 V 0-1 single-pole black I 4913 16 A 250 V 0-1 single-pole luminous red I 4915 16 A 250 V 0-1 single-pole luminous green I 5000 16 A 250 V 0-1 double-pole black I 5013 16 A 250 V 0-1 double-pole luminous red I 5015 16 A 250 V 0-1 double-pole luminous green Standards CEE 24	I 4900 16A 250 V 0-1 unipolaire noir I 4913 16 A 250 V 0-1 unipolaire lumineux rouge I 4915 16 A 250 V 0-1 unipolaire lumineux vert I 5000 16 A 250 V 0-1 bipolaire noir I 5013 16 A 250 V 0-1 bipolaire lumineux rouge I 5015 16 A 250 V 0-1 bipolaire lumineux vert Normes CEE 24
	 50 pz 50 pcs 50 pcs	 pronta in stock en stock	



INTERRUTTORI A BASCULA E PULSANTI

Rocker switches and push-buttons | *Interrupteurs à bascule et poussoirs*



PULSANTI UNIPOLARI

Single pole push buttons | *Poussoirs unipolaires*

Tensione 125 V - 250 V AC	Voltage 125 V - 250 V AC	Tension 125 V - 250 V AC
Corrente 3 A - 1,5 A	Current 3 A - 1,5 A	Courant 3 A - 1,5 A
Contatti Ottone argentato a saldare	Contacts Silver-plated brass solder lugs	Contacts Laiton argenté à souder
Corpo Plastico: nylon UL94V-2 Metallico: ottone nichelato	Body Plastic: nylon UL94V-2 Metal: Nickel plated brass	Corps Plastique: nylon UL94V-2 Métallique: laiton nickelé



Codice Code Code	Circuito Circuit Circuit	Colore tasto Actuator colour Couleur bouton
------------------------	--------------------------------	---

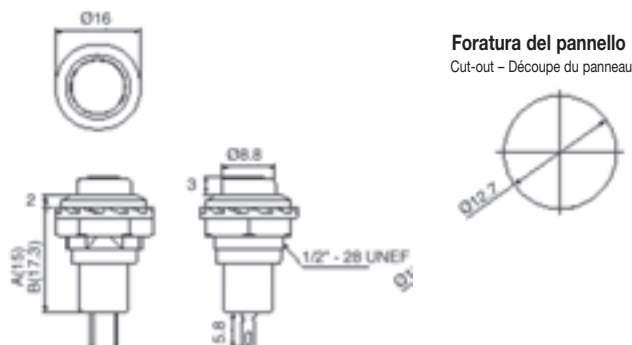
Corpo plastico | Plastic body | Corps plastiques

KP 502 28 A0BB	off - mom	■
KP 502 28 B0BB	mom - off	■
KP 502 28 A0BR	off - mom	■
KP 502 28 B0BR	mom - off	■

Corpo metallico | Metallic body | Corps métalliques

KP 502 28 A0MB (ex B1383)	off - mom	■
KP 502 28 B0MB (ex B1384)	mom - off	■
KP 502 28 C0MB (ex B1385)	on - mom	■
KP 502 28 A0MR	off - mom	■
KP 502 28 B0MR (ex B1384.3)	mom - off	■
KP 502 28 C0MR	on - mom	■

Dimensioni | Dimensions | Dimensions



Foratura del pannello
Cut-out - Découpe du panneau



100 pz
100 pcs
100 pces



30 giorni
30 days
30 jours



PULSANTI/INTERRUTTORI UNIPOLARI

Single pole push buttons/switches | *Poussoirs/interrupteurs unipolaires*

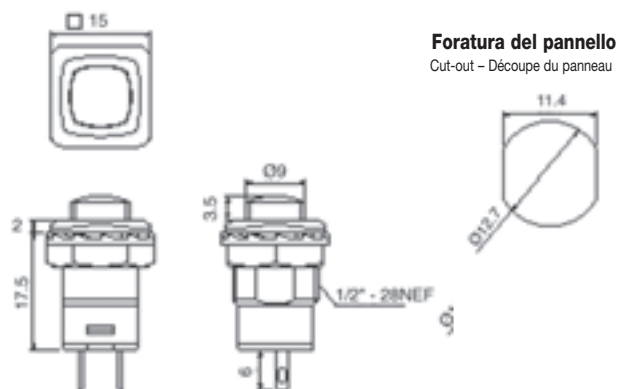
Tensione 125 V - 250 V AC	Voltage 125 V - 250 V AC	Tension 125 V - 250 V AC
Corrente 3 A - 1,5 A	Current 3 A - 1,5 A	Courant 3 A - 1,5 A
Contatti Ottone argentato a saldare	Contacts Silver-plated brass solder lugs	Contacts Laiton argenté à souder
Corpo Nylon caricato vetro UL 94V-2	Body Glass filled nylon UL 94V-2	Corps Nylon chargé verre UL94V-2



Codice Code Code	Circuito Circuit Circuit	Colore tasto Actuator colour Couleur bouton
------------------------	--------------------------------	---

KP 511 28 A0BB	off - mom	■
KP 511 28 B0BB	off - on	■
KP 511 28 A0BR	off - mom	■
KP 511 28 B0BR	off - on	■

Dimensioni | Dimensions | Dimensions



Foratura del pannello
Cut-out - Découpe du panneau



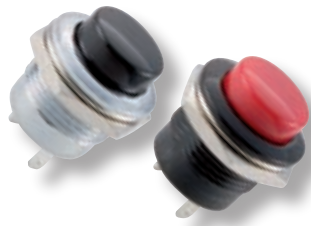
100 pz
100 pcs
100 pces



30 giorni
30 days
30 jours

INTERRUTTORI A BASCULA E PULSANTI

Rocker switches and push-buttons | *Interrupteurs à bascule et poussoirs*



PULSANTI UNIPOLARI

Single push pole buttons | *Poussoirs unipolaires*

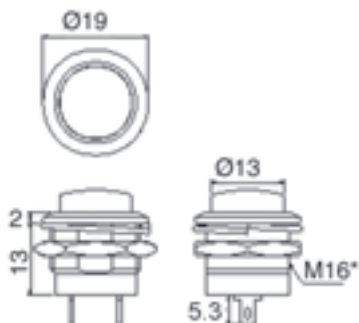
Tensione 125 V - 250 V AC	Voltage 125V - 250V AC	Tension 125 V - 250 V AC
Corrente 6 A - 3 A	Current 6 A - 3 A	Courant 6 A - 3 A
Contatti Ottone argentato a saldare	Contacts Silver-plated brass solder lugs	Contacts Laiton argenté à soude
Corpo Plastico: nylon UL94V-2 Metallico: ottone nichelato	Body Plastic: nylon UL94V-2 Metal: Nickel plated brass	Corps Plastique: nylon UL94V-2 Métallique: laiton nickelé
Norme riferimento UL 1054	Standards UL 1054	Normes UL 1054



Codice Code Code	Circuito Circuit Circuit	Colore tasto Actuator colour Couleur bouton
------------------------	--------------------------------	---

Corpo plastico Plastic body Corps plastique		
KP 507 28 A0BB	off - mom	■
KP 507 28 A0BR	off - mom	■
Corpo metallico Metal body Corps métallique		
KP 507 28 A0MB	off - mom	■
KP 507 28 A0MR	off - mom	■

Dimensioni | Dimensions | Dimensions



Foratura del pannello
Cut-out - Découpe du panneau



PULSANTI/INTERRUTTORI BIPOLARI

Double pole push buttons/switches | *Poussoirs/interrupteurs bipolaires*

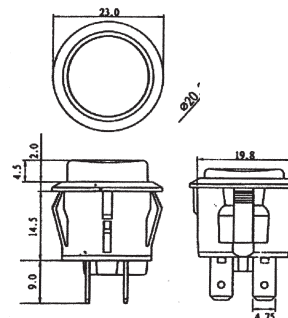
Tensione 125 V - 250 V AC	Voltage 125 V - 250 V AC	Tension 125 V - 250 V AC
Corrente 10 A - 6 A	Current 10 A - 6 A	Courant 10 A - 6 A
Contatti Ottone argentato faston 4,8 mm	Contacts Silver-plated brass 4,8 mm faston	Contacts Laiton argenté faston 4,8 mm
Corpo Nylon UL 94V-2	Body Nylon UL 94V-2	Corps Nylon UL 94V-2
Temperatura 85°C	Temperature 85°C	Température 85°C
Norme riferimento UL 1054	Standards UL 1054	Normes UL 1054



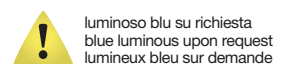
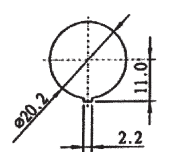
Codice Code Code	Circuito Circuit Circuit	Colore tasto Actuator colour Couleur bouton
------------------------	--------------------------------	---

Colorati non luminoso Coloured, non illuminated Colorés non lumineux		
KP 527 48 A0BB	mom - off	■
KP 527 48 B0BB	on - off	■
KP 527 48 A0BR	mom - off	■
KP 527 48 B0BR	on - off	■
Luminoso Luminous Lumineux		
KP 527 48 A2BR	mom - off	■ neon
KP 527 48 B2BR	on - off	■ neon
KP 527 48 A2BG	mom - off	■ neon
KP 527 48 B2BG	on - off	■ neon

Dimensioni | Dimensions | Dimensions



Foratura del pannello
Cut-out - Découpe du panneau



INTERRUTTORI A BASCULA E PULSANTI

Rocker switches and push-buttons | *Interrupteurs à bascule et poussoirs*



PULSANTI/INTERRUTTORI LUMINOSI

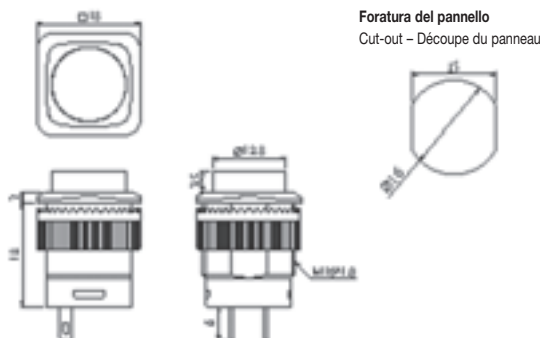
Luminous push buttons/switches | *Poussoirs/interrupteurs lumineux*

Tensione 125 V - 250 V AC	Voltage 125 V - 250 V AC	Tension 125 V - 250 V AC
Corrente 3 A - 1,5 A	Current 3 A - 1,5 A	Courant 3 A - 1,5 A
Contatti Ottone argentato a saldare	Contacts Silver-plated brass solder lugs	Contacts Laiton argenté à souder
Corpo Nylon caricato vetro UL94HB	Body Glass filled nylon UL94HB	Corps Nylon chargé verre UL94HB
Norme riferimento UL 1054	Standards UL 1054	Normes UL 1054
LED 3V DC	LED 3V DC	LED 3V DC



Codice Code Code	Circuito Circuit Circuit	Colore tasto Actuator colour Couleur bouton
KP 508 28 A5BR	off - mom	red led
KP 508 28 B5BR	off - on	red led
KP 508 28 A5BG	off - mom	green led
KP 508 28 B5BG	off - on	green led

Dimensioni | Dimensions | Dimensions



Foratura del pannello
Cut-out - Découpe du panneau



400 pz
400 pcs
400 pces



30 giorni
30 days
30 jours



luminoso blu su richiesta
blue luminous upon request
lumineux bleu sur demande



PULSANTI/INTERRUTTORI LUMINOSI UNIPOLARI

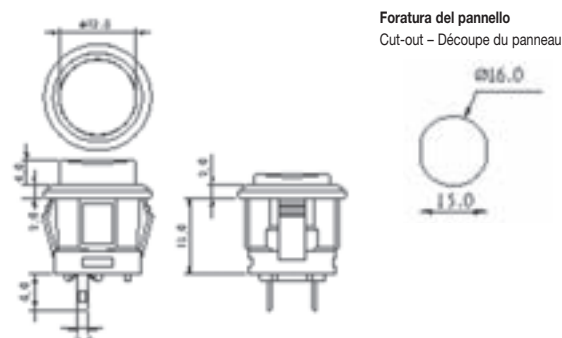
Single pole luminous push buttons/switches | *Poussoirs/interrupteurs unipolaires lumineux*

Tensione 125 V - 250 V AC	Voltage 125 V - 250 V AC	Tension 125 V - 250 V AC
Corrente 3 A - 1,5 A	Current 3 A - 1,5 A	Courant 3 A - 1,5 A
Contatti Ottone argentato a saldare	Contacts Silver-plated brass solder lugs	Contacts Laiton argenté à souder
Corpo Nylon UL 94V-2	Body Nylon UL 94V-2	Corps Nylon UL 94V-2
Temperatura 85°C	Temperature 85°C	Température 85°C
Norme riferimento UL 1054	Standards UL 1054	Normes UL 1054



Codice Code Code	Circuito Circuit Circuit	Colore tasto Actuator colour Couleur bouton
KP 523 28 A5BR	off - mom	red led
KP 523 28 B5BR	off - on	red led
KP 523 28 A5BG	off - mom	green led
KP 523 28 B5BG	off - on	green led

Dimensioni | Dimensions | Dimensions



Foratura del pannello
Cut-out - Découpe du panneau



100 pz
100 pcs
100 pces




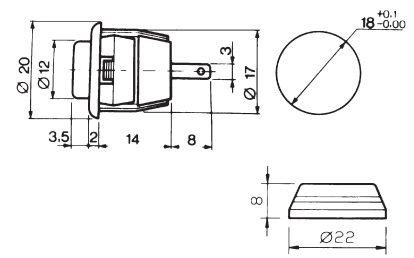



30 giorni
30 days
30 jours


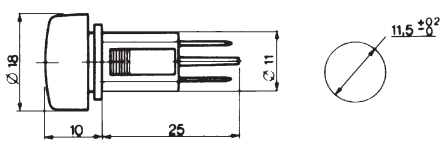






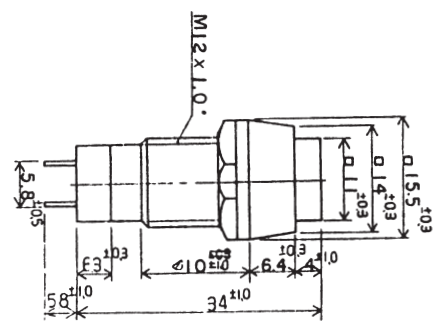




luminoso blu su richiesta
blue luminous upon request
lumineux bleu sur demande

PULSANTI DA PANNELLO


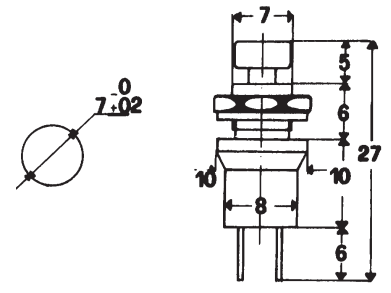



PCB and panel mounting switches | *Poussoirs pour C.I. et panneau*

B5310 - B5311	Pulsante/cappuccio	Switch/prot. cover	Poussoir/capuchon	
	B5310 Pulsante instabile 0-1 Corrente 2 A Tensione 250 V Corpo Nero UL94 VO Bottone Rosso Terminali Saldare B5311 Cappuccio trasparente	B5310 Momentary switch 0-1 Current 2 A Voltage 250V Body Black UL94 VO Button Red Contacts Solder B5311 Transparent protection cover	B5310 Poussoir instable 0-1 Courant 2 A Tension 250 V Corps Noir UL94 VO Bouton Rouge Contacts À souder B5311 Capuchon transparent	
		100 pz 100 pcs 100 pcs		pronta in stock en stock

B5410	Pulsante	Switch	Poussoir	
	B5410 Pulsante instabile 0-1 Corrente 2 A Tensione 250 V Corpo Nero UL94 VO Bottone Rosso Terminali Faston 6,3 mm	B5410 Momentary switch 0-1 Current 2 A Voltage 250 V Body Black UL94 VO Button Red Contacts Faston 6,3 mm	B5410 Poussoir instable 0-1 Courant 2 A Tension 250 V Corps Noir UL94 VO Bouton Rouge Contacts Faston 6,3 mm	
		100 pz 100 pcs 100 pcs		pronta in stock en stock

B1323 - B1324	Pulsanti da C.S. e pannello	PCB and panel mounting switches	Poussoirs pour C.I. et panneau	
	B1323 Pulsante nero instabile 0-1 B1324 Interruttore nero 0-1 Corrente 1,5 A/3 A Tensione 250 V/125 V Contatti Saldare	B1323 Black momentary switch 0-1 B1324 Black switch 0-1 Current 1,5 A/3 A Voltage 250 V/125 V Contacts Solder	B1323 Poussoir noir instabile 0-1 B1324 Interrupteur noir 0-1 Courant 1,5 A/3 A Tension 250 V/125 V Contacts À souder	
 		100 pz 100 pcs 100 pcs		pronta in stock en stock

Foratura del pannello
cut-out - découpe du panneau / ø 12,5 mm

B5123 - B5213	Pulsante instabile	Momentary switch	Poussoir instabile	
	B5123 Pulsante aperto 0-1 B5213 Pulsante chiuso 1-0 Corrente 1 A Tensione 250 V Corpo Nero Bottone Rosso Terminali Saldare	B5123 N.O. switch 0-1 B5213 N.C. switch 1-0 Current 1 A Voltage 250 V Body Black Button Red Contacts Solder	B5123 Poussoir ouvert 0-1 B5213 Poussoir fermé 1-0 Courant 1 A Tension 250 V Corps Noir Bouton Rouge Contacts À souder	
		100 pz 100 pcs 100 pcs		pronta in stock en stock